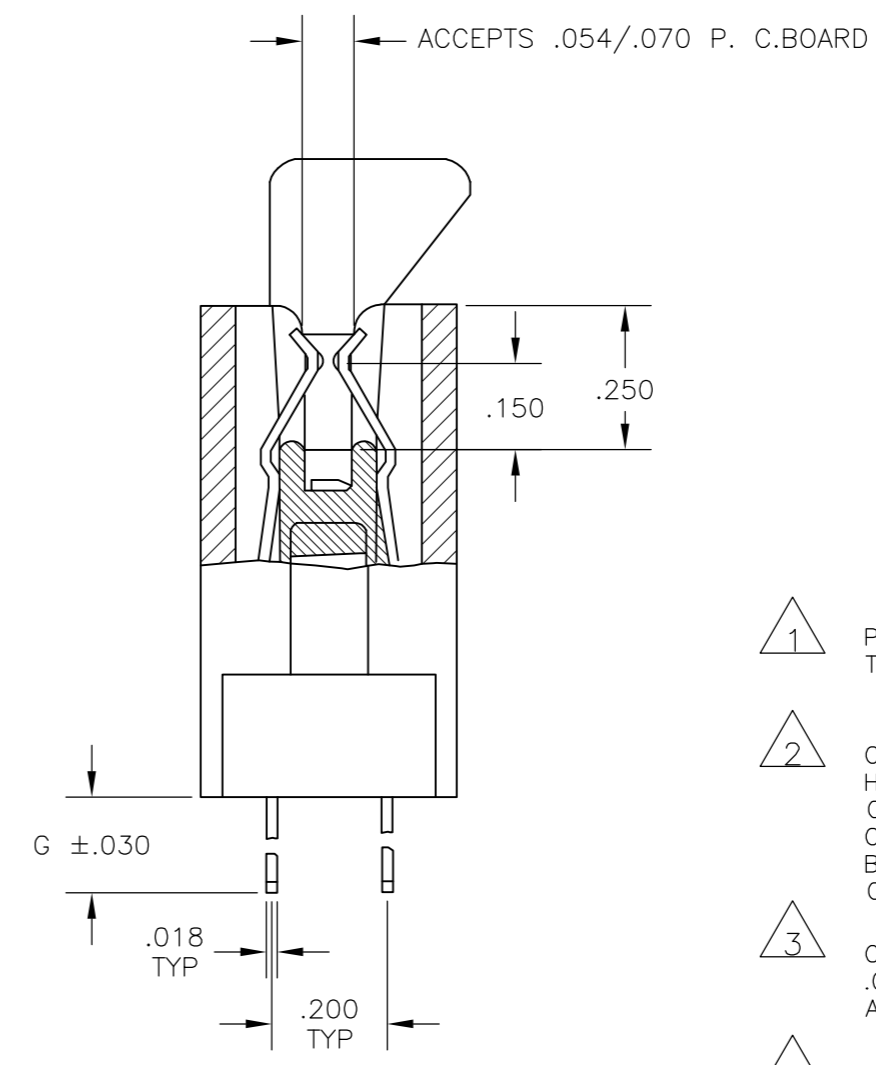
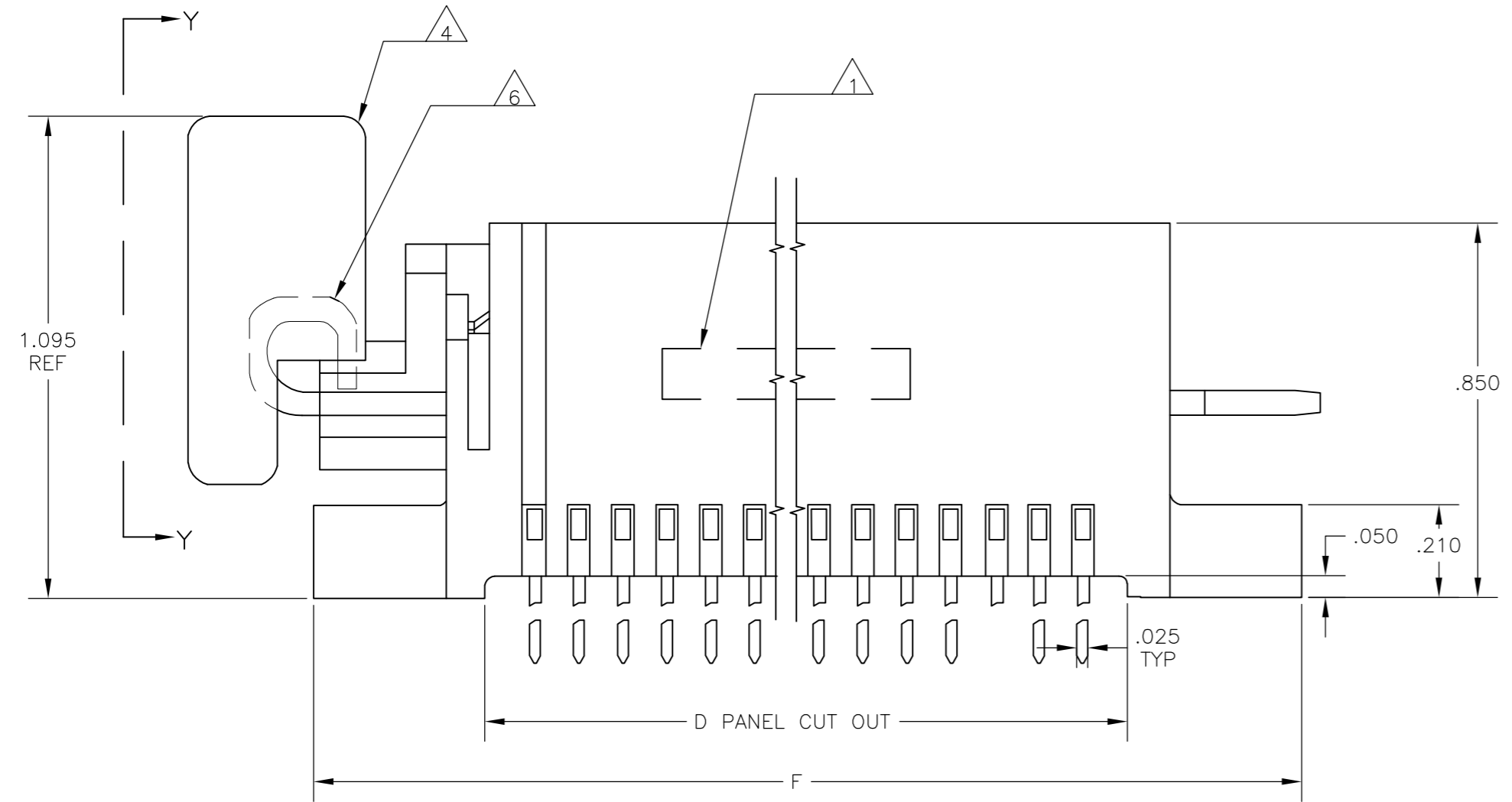
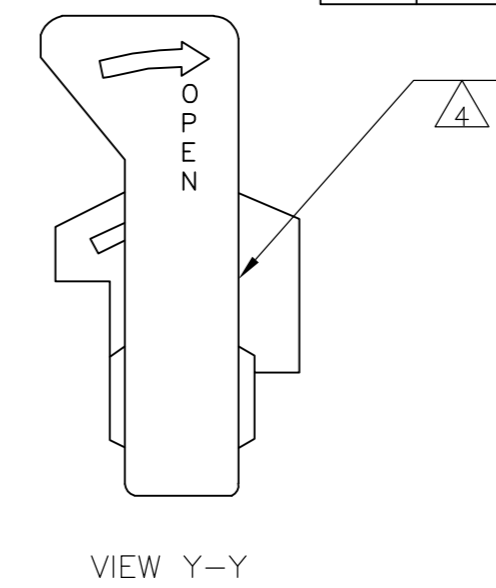
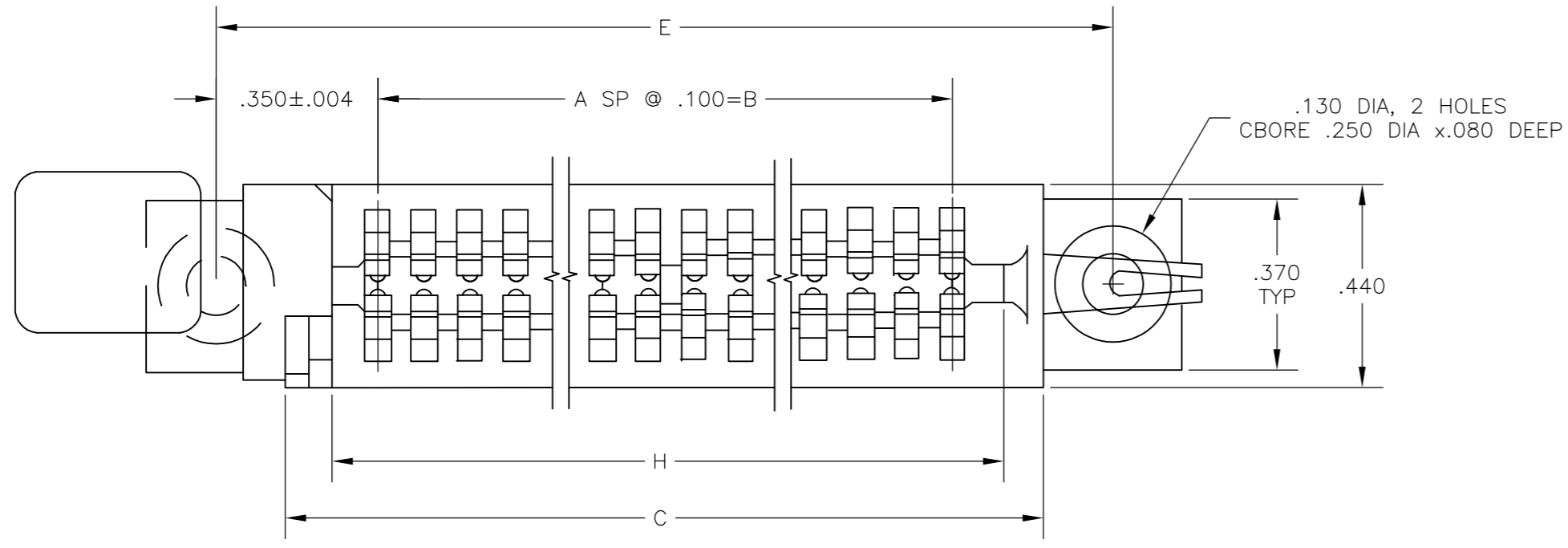
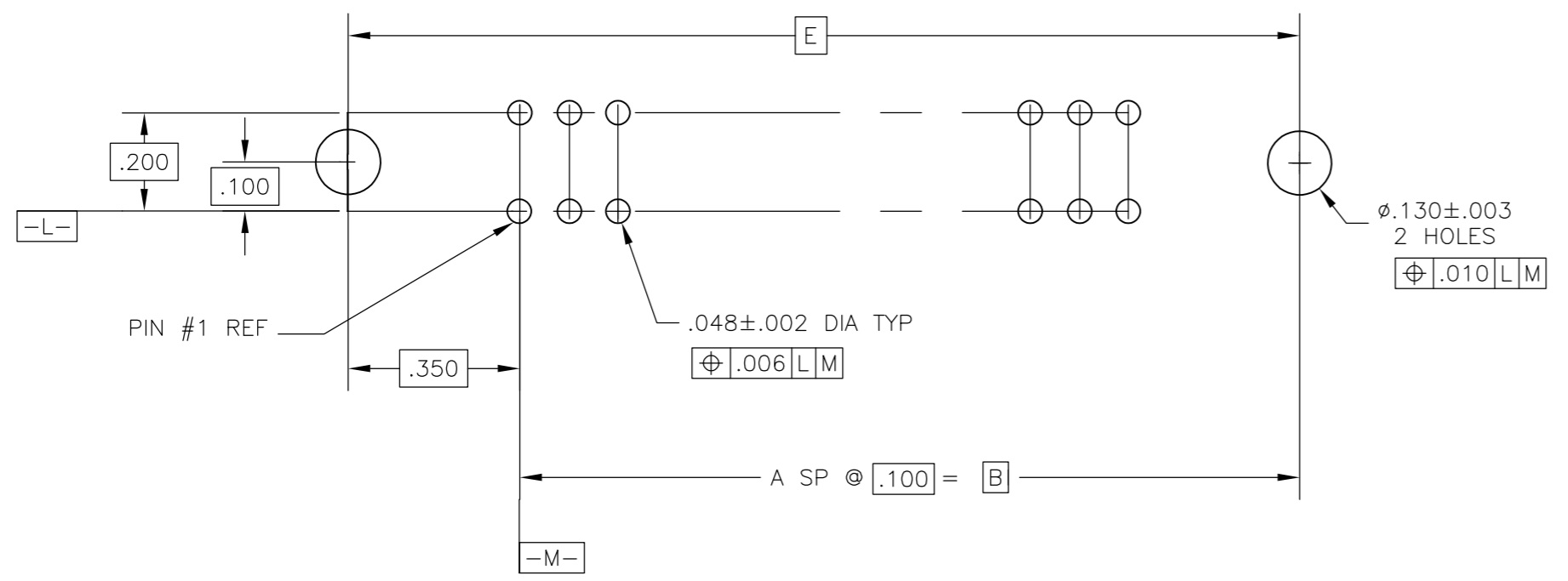


THIS DRAWING IS UNPUBLISHED. RELEASED FOR PUBLICATION
 © COPYRIGHT BY TYCO ELECTRONICS CORPORATION. ALL RIGHTS RESERVED.

LOC		DIST		REVISIONS			
P	LTR	DATE	DWN	APVD			
AD	00						
AC		ECO-07-021398	10OCT2007	RB	MM		



- 1 PART NUMBER AND DATE CODE STAMPED IN THIS AREA ON EITHER SIDE.
- 2 CONTACT: COPPER ALLOY
HOUSING: GLASS FILLED POLYESTER 94 VO, COLOR-BLACK
CAM ROD: STAINLESS STEEL
BOARD LOCK: GLASS FILLED POLYESTER 94 VO, COLOR-YELLOW
- 3 CONTACT: .000050 MIN NICKEL ALL OVER, .000030 GOLD SELECTIVE PLATED IN CONTACT AREA TIN PLATED POST
- 4 CAM ROD AND BOARD LOCK SHIPPED WITH EACH CONNECTOR. ROTATE IN DIRECTION OF ARROW TO OPEN.
- 5 ASSEMBLY DOES NOT INCLUDE CAM ROD OR BOARD LOCK.
- 6 NUT DRIVER STYLE CAM ROD USED WITH PART NUMBER 3-531020-4 ONLY.
- 7 CONTACT: .000050 MIN NICKEL ALL OVER, .000030 GOLD SELECTIVE PLATED IN CONTACT AREA, MATTE TIN PLATED POST



RECOMENDED P.C. BOARD LAYOUT

THIS DRAWING IS A CONTROLLED DOCUMENT.		DWN	5-88	Tyco Electronics Corporation Harrisburg, Pa 17105-3608
DIMENSIONS: INCHES		L.WAREHAM	5-88	
TOLERANCES UNLESS OTHERWISE SPECIFIED:		D.GORENC	5-88	
0 PLC ± - 1 PLC ± - 2 PLC ± - 3 PLC ± .010 4 PLC ± - ANGLES ± - FINISH -		D.GORENC	5-88	
MATERIAL		APVD		NAME
		PRODUCT SPEC		ROTARY ZIF CONNECTOR .100 x.200, SOLDER POST OPEN ONE END
		APPLICATION SPEC		SIZE
		WEIGHT		CAGE CODE
		CUSTOMER DRAWING		DRAWING NO
				RESTRICTED TO
				A2 00779 C=531020
				SCALE
				3:1
				SHEET
				1 OF 2
				REV
				AC

THIS DRAWING IS UNPUBLISHED. RELEASED FOR PUBLICATION
 © COPYRIGHT BY TYCO ELECTRONICS CORPORATION. ALL RIGHTS RESERVED.

LOC		DIST		REVISIONS						
AD	00	P	LTR	DESCRIPTION			DATE	DWN	APVD	
		-		SEE SHEET 1			-	-	-	

7	4.400	.125	5.200	4.900	4.400	4.600	4.200	42	43/86	8-531020-3
7	3.700	.125	4.500	4.200	3.700	3.900	3.500	35	36/72	8-531020-2
7	6.600	0.160	7.400	7.100	6.600	6.800	6.400	64	65/160	8-531020-0
7	5.100	0.160	5.900	5.600	5.100	5.300	4.900	49	50/100	7-531020-9
7	4.400	0.160	5.200	4.900	4.400	4.600	4.200	42	43/86	7-531020-8
7	2.900	0.160	3.700	3.400	2.900	3.100	2.700	27	28/56	7-531020-7
7	3.200	0.160	4.000	3.700	3.200	3.400	3.000	30	31/62	7-531020-1
7	6.600	0.160	7.400	7.100	6.600	6.800	6.400	64	65/130	7-531020-0
7	6.100	0.160	6.900	6.600	6.100	6.300	5.900	59	60/120	6-531020-9
7	5.100	0.160	5.900	5.600	5.100	5.300	4.900	49	50/100	6-531020-8
7	4.400	0.160	5.200	4.900	4.400	4.600	4.200	42	43/86	6-531020-7
7	4.100	0.160	4.900	4.600	4.100	4.300	3.900	39	40/80	6-531020-5
7	3.700	0.160	4.500	4.200	3.700	3.900	3.500	35	36/72	6-531020-4
7	2.900	0.160	3.700	3.400	2.900	3.100	2.700	27	28/56	6-531020-3
7	2.600	0.160	3.400	3.100	2.600	2.800	2.400	24	25/50	6-531020-2
7	2.300	0.160	3.100	2.800	2.300	2.500	2.100	21	22/44	6-531020-1
7	6.600	.125	7.400	7.100	6.600	6.800	6.400	64	65/130	6-531020-0
7	5.100	.125	5.900	5.600	5.100	5.300	4.900	49	50/100	5-531020-8
7	4.100	.125	4.900	4.600	4.100	4.300	3.900	39	40/80	5-531020-5
7	2.600	.125	3.400	3.100	2.600	2.800	2.400	24	25/50	5-531020-2
7	2.300	.125	3.100	2.800	2.300	2.500	2.100	21	22/44	5-531020-1
	H	G	F	E	D	C	B	A	POSN	PART NUMBER

6	4.100	.125	4.900	4.600	4.100	4.300	3.900	39	40/80	3-531020-4	
5	4.400	.125	5.200	4.900	4.400	4.600	4.200	42	43/86	3-531020-3	
	3.700	.125	4.500	4.200	3.700	3.900	3.500	35	36/72	3-531020-2	
OBSOLETE	5	5.100	.125	5.900	5.600	5.100	5.300	4.900	49	50/100	3-531020-1
	5	6.600	0.160	7.400	7.100	6.600	6.800	6.400	64	65/160	3-531020-0
	5	5.100	0.160	5.900	5.600	5.100	5.300	4.900	49	50/100	2-531020-9
	5	4.400	0.160	5.200	4.900	4.400	4.600	4.200	42	43/86	2-531020-8
	5	2.900	0.160	3.700	3.400	2.900	3.100	2.700	27	28/56	2-531020-7
		3.200	0.160	4.000	3.700	3.200	3.400	3.000	30	31/62	2-531020-1
		6.600	0.160	7.400	7.100	6.600	6.800	6.400	64	65/130	2-531020-0
		6.100	0.160	6.900	6.600	6.100	6.300	5.900	59	60/120	1-531020-9
		5.100	0.160	5.900	5.600	5.100	5.300	4.900	49	50/100	1-531020-8
		4.400	0.160	5.200	4.900	4.400	4.600	4.200	42	43/86	1-531020-7
OBSOLETE		4.300	0.160	5.100	4.800	4.300	4.500	4.100	41	42/84	1-531020-6
		4.100	0.160	4.900	4.600	4.100	4.300	3.900	39	40/80	1-531020-5
		3.700	0.160	4.500	4.200	3.700	3.900	3.500	35	36/72	1-531020-4
		2.900	0.160	3.700	3.400	2.900	3.100	2.700	27	28/56	1-531020-3
		2.600	0.160	3.400	3.100	2.600	2.800	2.400	24	25/50	1-531020-2
		2.300	0.160	3.100	2.800	2.300	2.500	2.100	21	22/44	1-531020-1
		6.600	.125	7.400	7.100	6.600	6.800	6.400	64	65/130	1-531020-0
OBSOLETE		6.100	.125	6.900	6.600	6.100	6.300	5.900	59	60/120	531020-9
		5.100	.125	5.900	5.600	5.100	5.300	4.900	49	50/100	531020-8
OBSOLETE		4.400	.125	5.200	4.900	4.400	4.600	4.200	42	43/86	531020-7
OBSOLETE		4.300	.125	5.100	4.800	4.300	4.500	4.100	41	42/84	531020-6
		4.100	.125	4.900	4.600	4.100	4.300	3.900	39	40/80	531020-5
OBSOLETE		3.700	.125	4.500	4.200	3.700	3.900	3.500	35	36/72	531020-4
OBSOLETE		2.900	.125	3.700	3.400	2.900	3.100	2.700	27	28/56	531020-3
		2.600	.125	3.400	3.100	2.600	2.800	2.400	24	25/50	531020-2
		2.300	.125	3.100	2.800	2.300	2.500	2.100	21	22/44	531020-1
	H	G	F	E	D	C	B	A	POSN	PART NUMBER	

THIS DRAWING IS A CONTROLLED DOCUMENT.

DWN	L.WAREHAM	5-88
CHK	D.GORENC	5-88
APVD	D.GORENC	5-88
PRODUCT SPEC		
APPLICATION SPEC		
WEIGHT		
CUSTOMER DRAWING		

TOLERANCES UNLESS OTHERWISE SPECIFIED:

0 PLC	± -
1 PLC	± -
2 PLC	± -
3 PLC	± .010
4 PLC	± -
ANGLES	± -
FINISH	

MATERIAL: -

SCALE: 1:1

SIZE: A2 CAGE CODE: 00779 DRAWING NO: 531020 RESTRICTED TO: -

DATE: 5-88

BY: D.GORENC

APPROVED: D.GORENC

TYCO ELECTRONICS CORPORATION, Harrisburg, Pa 17105-3608

ROTARY ZIF CONNECTOR .100 x.200, SOLDER POST OPEN ONE END

SHEET 2 OF 2 REV AC